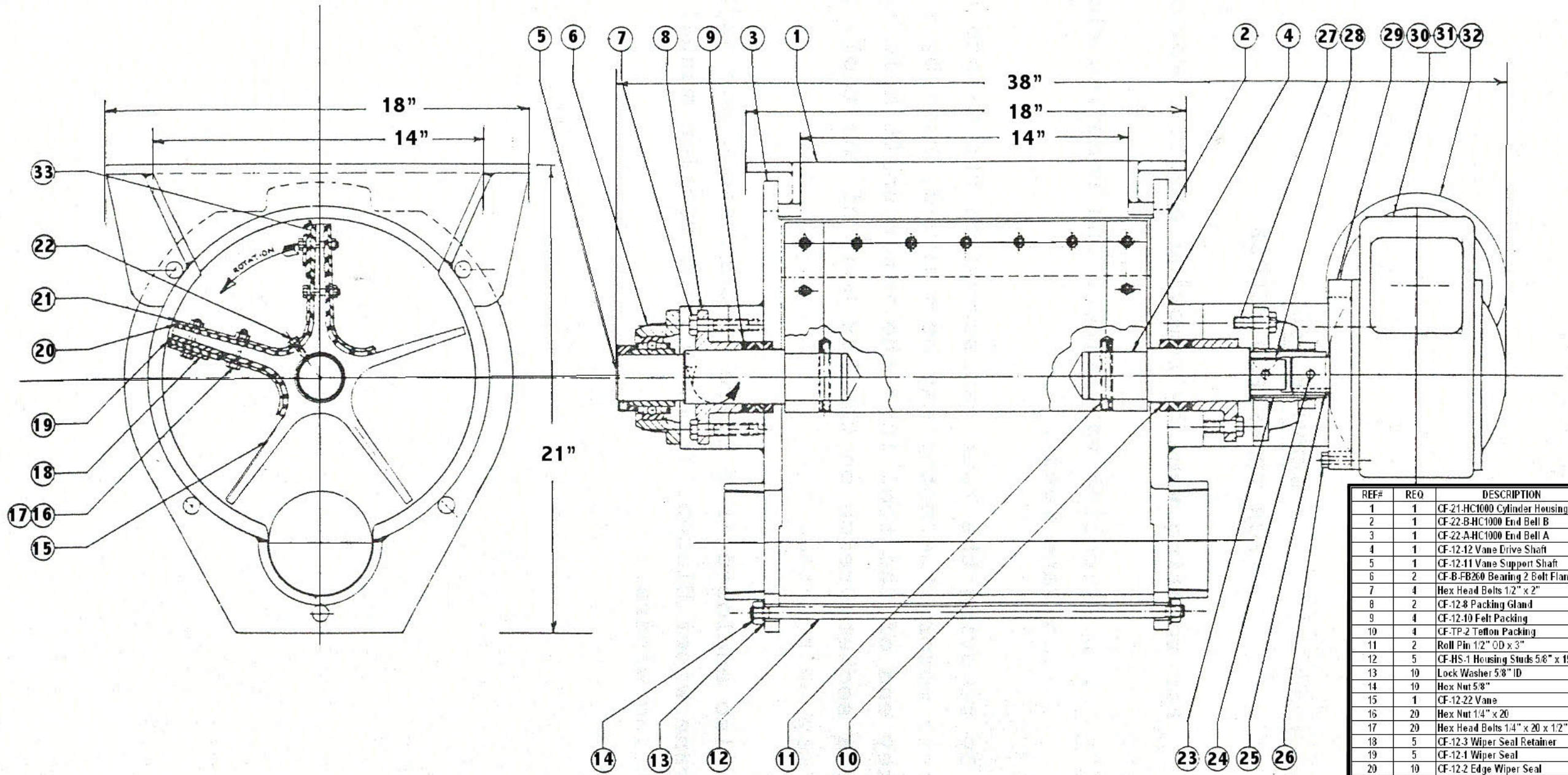


Slide Gate - 4 1/2" High  
 Bin Adapter - 2" High  
 Width - 29" From Outside of Housing  
 To End of Motor

# Model 1000 Feeder Unit

RFF#	RFO	DESCRIPTION	MATL
25	1	CF-KEY Key 1/4 x 1/4 x 2"	STK
26	4	Hex Head Machine Screw	STK
27	4	Hex Head Machine Screw	STK
28	1	CF-15 Woodruff Key 1/4 x 1"	STK
29	1	CF-11.12 Motor Mounting Plate	STK
30	1	CF-SR-324 Hub City Speed Rod.	VENDER
31	4	Hex Head Machine Screw	STK
32	1	WEG-1.5HP Weg 1.5 HP Motor	VENDER
33	5	CF-12.5 Wiper Seal Spacer	STK



REF#	REQ	DESCRIPTION	MATL
1	1	CF-21-HC1000 Cylinder Housing	FAB
2	1	CF-22-B-HC1000 End Bell B	FAB
3	1	CF-22-A-HC1000 End Bell A	FAB
4	1	CF-12-12 Vane Drive Shaft	STK
5	1	CF-12-11 Vane Support Shaft	STK
6	2	CF-B-FB260 Bearing 2 Bolt Flange	VENDER
7	4	Hex Head Bolts 1/2" x 2"	STK
8	2	CF-12-8 Packing Gland	STK
9	4	CF-12-10 Felt Packing	STK
10	4	CF-TP-2 Teflon Packing	STK
11	2	Roll Pin 1/2" OD x 3"	STK
12	5	CF-HS-1 Housing Studs 5/8" x 19 1/2"	STK
13	10	Lock Washer 5/8" ID	STK
14	10	Hex Nut 5/8"	STK
15	1	CF-12-22 Vane	STK
16	20	Hex Nut 1/4" x 20	STK
17	20	Hex Head Bolts 1/4" x 20 x 1/2"	STK
18	5	CF-12-3 Wiper Seal Retainer	STK
19	5	CF-12-1 Wiper Seal	STK
20	10	CF-12-2 Edge Wiper Seal	STK
21	5	CF-12-4 Curved Wiper Seal Retainer	STK
22	35	CF-ST5 Self Tapping Screws #14	STK
23	1	CF-12-7-H Coupling	STK
24	2	Socket Set Screw 3/8 x #16	STK

**Trans-Flo Corporation**  
 3807 Meyer Rd. Fort Wayne, IN USA  
 Model 1000 Feeder Unit